

MWO Series Pin Choke Oven

Continuous Microwave heating System



Cook or dry your
product in minutes.

PERFECT FOR DRYING
OR COOKING

Simple Efficient Precise Flexible

Microwaves offer many benefits to your operation. A microwave system is the perfect choice for your cooking, drying, or heating needs and has the capability to substantially decrease your processing times. It provides the opportunity to improve quality and maximize throughput by volumetrically heating your product. Microwave processing allows for precise control of product temperatures, ensuring they are within your required limits. Your microwave system will be customized to meet your specific production needs and facility layout. A multiple chamber layout allows for even greater control over your final results.

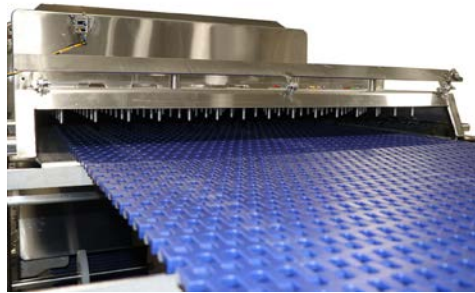
Safety

Interlocking access doors on the transmitters, process ovens, and passive microwave suppression tunnels meet applicable government safety standards for operation.



Belt System

A positive drive, articulated belt of microwave transparent material moves continuously through the oven

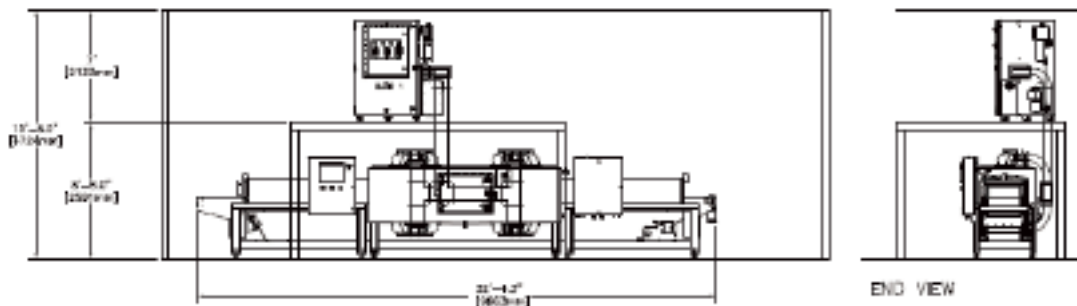


Sanitation

The entire oven is constructed of stainless steel and rated for full washdown.

FLEXIBLE INSTALLATION CUSTOM DESIGN

AMTek takes your installation requirements and provides a complete system layout, detailing oven location, utility requirements, and location within your facility. We can integrate optional add-on equipment into your design and layout as well.



We know how important it is for your system to be up and running at all times. For that very reason, AMTek carries a full line of spare parts for all your microwave system needs. You will find that we are determined to provide you with the parts you need, when you need them.