

Designed for

demanding environments

Waterproof NG bearing units & stainless steel bearing units



BEARING UNITS - WATERPROOF & STAINLESS STEEL

bj.gear

Stainless steel bearing units

The stainless steel bearing units are very suitable for the food industry and other demanding environments, due to the hygienic design and minimum of maintenance. The mini stainless steel bearings are extra narrow bearings in hygienic design.

Features and advantages:

- Stainless steel housings AISI 304
- Stainless steel bearings AISI 440C
- Stainless steel grease nipples AISI 440C
- No surface coating are required
- Excellent life span
- Screw set lock
- Operating temperature from -20° to +120°C.
- Maintenance free except regular greasing when needed

Features and advantages, the mini bearings:

- Stainless steel housings AISI 304
- Stainless steel bearings AISI 440C
- Sealings NBR
- Narrow bearings
- No surface coating are required
- Eccentric collar lock

Type of grease nipples:

Type: Straight stainless

- (Standard)
- Size: M 6x1 mm
- Catalogue no.: KI820010

Type: 45° stainless

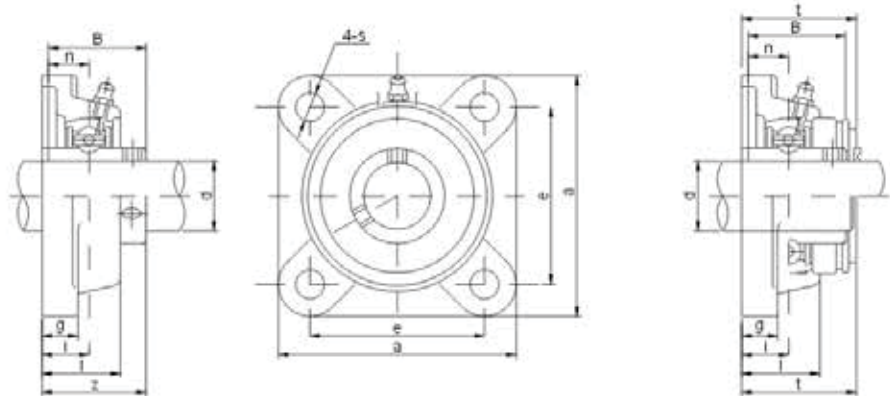
- Size: M 6x1 mm
- Catalogue no.: KI820015

Type: 90° stainless

- Size: M 6x1 mm
- Catalogue no.: KI820020

SF

4-holes stainless steel flange bearing units

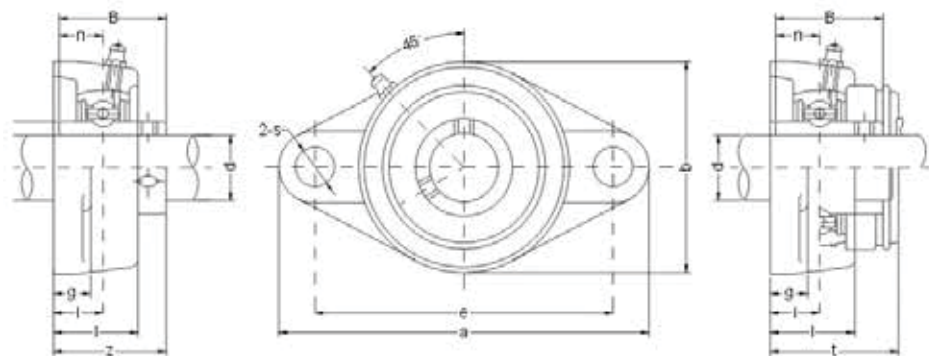


Item no.	d	a	e	i	g	l	s	z	B	n	Bolt size	Weight [kg]
SUCF204S	20	86	64	15	12	25.5	12	33.3	31	12.7	M10	0.56
SUCF205S	25	95	70	16	14	27	12	35.8	34.1	14.3	M10	0.84
SUCF206S	30	108	83	18	14	31	12	40.2	38.1	15.9	M10	1.15
SUCF207S	35	117	92	19	16	34	14	44.4	42.9	17.5	M12	1.52
SUCF208S	40	130	102	21	16	36	16	51.2	49.2	19	M14	1.88
SUCF209S	45	137	105	22	18	38	16	52.2	49.2	19	M14	2.25
SUCF210S	50	143	111	22	18	40	16	54.6	51.6	19	M14	2.54
SUCF211S	55	162	130	25	20	43	19	58.4	55.6	22.2	M16	3.46
SUCF212S	60	175	143	29	20	48	19	68.7	65.1	25.4	M16	4.41

All measurements are in millimeters When ordering please use the catalogue numbers.

SFL

2-holes stainless steel flange bearings

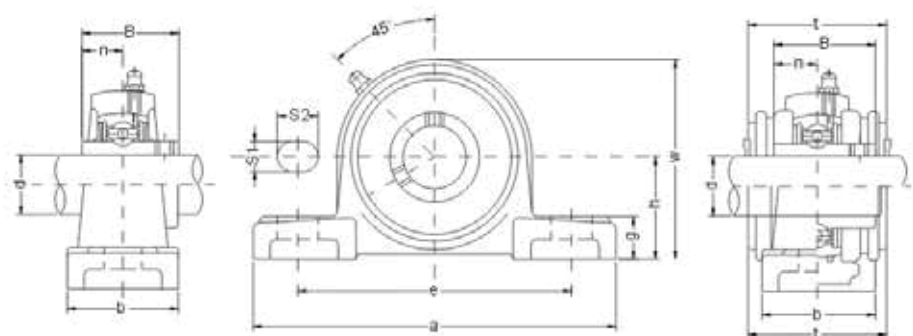


Item No.	d	a	e	i	g	l	S	b	z	B	n	Bolt size	Weight [kg]
SUCFL204S	20	113	90	15	11	25.5	12	60	33.3	31	12.7	M10	0.41
SUCFL205S	25	130	9	16	13	27	16	68	35.8	34.1	14.3	M14	0.62
SUCFL206S	30	148	117	18	13	31	16	80	40.2	38.1	15.9	M14	0.89
SUCFL207S	35	161	130	19	14	34	16	90	44.4	42.9	17.5	M14	1.14
SUCFL208S	40	175	144	21	14	30	16	90	51.2	49.2	19	M14	1.48
SUCFL209S	45	188	148	22	15	38	19	108	52.2	49.2	19	M16	1.84
SUCFL210S	50	197	157	22	15	40	19	115	54.6	51.6	19	M16	2.22
SUCFL211S	55	224	184	25	18	43	19	130	58.4	55.6	22.2	M16	3.06
SUCFL212S	60	250	202	29	18	48	23	140	68.7	65.1	25.4	M20	3.87

All measurements are in millimeters When ordering please use the catalogue numbers.

SP

Stainless steel pillow block bearings



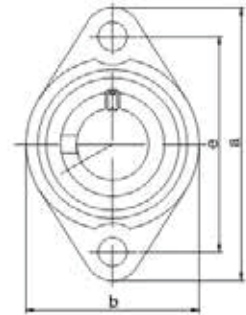
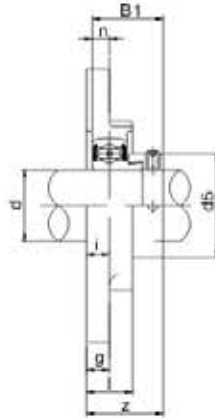
Item No.	d	h	a	e	b	S1	S2	g	w	B	n	Bolt size	Weight [kg]
SUCP204S	20	33.3	127	95	38	13	19	14	65	31	12.7	M10	0.66
SUCP205S	25	36.5	140	105	38	13	19	15	71	34.1	14.3	M10	0.85
SUCP206S	30	42.9	165	121	48	17	20	17	84	38.1	15.9	M14	1.27
SUCP207S	35	47.6	167	127	48	17	20	18	93	42.9	17.5	M14	1.64
SUCP208S	40	49.2	184	137	54	17	20	18	100	49.2	19	M14	1.93
SUCP209S	45	54.0	190	146	54	17	20	20	106	49.2	19	M16	2.24
SUCP210S	50	57.2	206	159	60	20	23	21	113	51.6	19	M16	2.78
SUCP211S	55	63.5	219	171	60	20	23	23	125	55.6	22.2	M16	3.46
SUCP212S	60	69.8	241	184	70	20	23	25	138	65.1	25.4	M16	5.03

All measurements are in millimeters When ordering please use the catalogue numbers.

MUFL

with eccentric collar lock

Mini stainless steel flange bearings



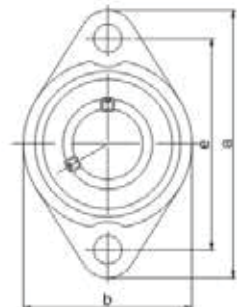
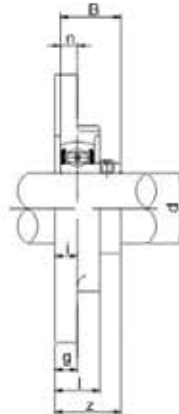
Item No.	d	a	e	i	g	l	s	b	B1	n	d5	Bolt size	Weight [kg]
MUFL000	10	60	45	5.5	5.5	11.5	7	36	17.5	4	17	M6	0.06
MUFL001	12	63	48	5.5	5.5	11.5	7	38	17.5	4	19	M6	0.07
MUFL002	15	67	53	6.5	6.5	13	7	42	18.5	4.5	22	M6	0.10
MUFL003	17	71	56	7	7	14	7	46	20.5	5	25	M6	0.13
MUFL004	20	90	71	8	8	16	10	55	24.5	6	30	M8	0.20
MUFL005	25	95	75	8	8	16	10	60	25.5	6	36	M8	0.24
MUFL006	30	112	85	9	9	18	13	70	26.5	6.5	42	M10	0.35
MUFL007	35	122	95	10	10	20	13	80	29.5	7	48	M10	0.50

All measurements are in millimeters When ordering please use the catalogue numbers.

MKFL

with set screw lock

Mini stainless steel flange bearings



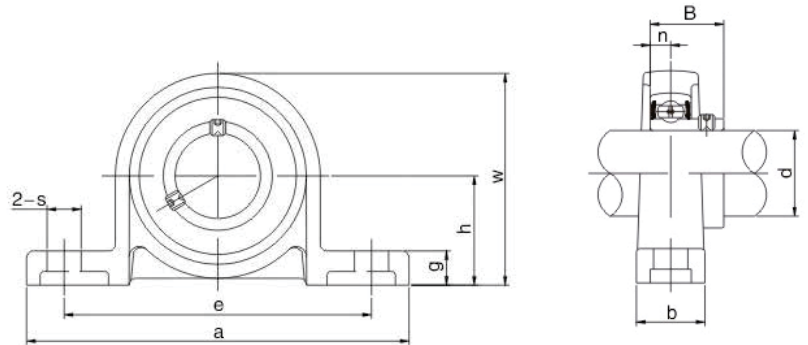
Item no.	d	a	e	i	g	l	s	b	Z	B1	n	Bolt size	Weight [kg]
MKFL000	10	60	45	5.5	5.5	11.5	7	36	15.5	14	4	M6	0.06
MKFL001	12	63	48	5.5	5.5	11.5	7	38	16	14.5	4	M6	0.07
MKFL002	15	67	53	6.5	6.5	13	7	42	18.6	16.5	4.5	M6	0.10
MKFL003	17	71	56	7	7	14	7	46	19.5	17.5	5	M6	0.13
MKFL004	20	90	71	8	8	16	10	55	23	21	6	M8	0.20
MKFL005	25	95	75	8	8	16	10	60	24.5	22.5	6	M8	0.24
MKFL006	30	112	85	9	9	18	13	70	27	24.5	6.5	M10	0.35
MKFL007	35	122	95	10	10	20	13	80	29.5	26.5	7	M10	0.50

All measurements are in millimeters When ordering please use the catalogue numbers.

MKP

with set screw lock

Mini stainless steel pillow block bearings



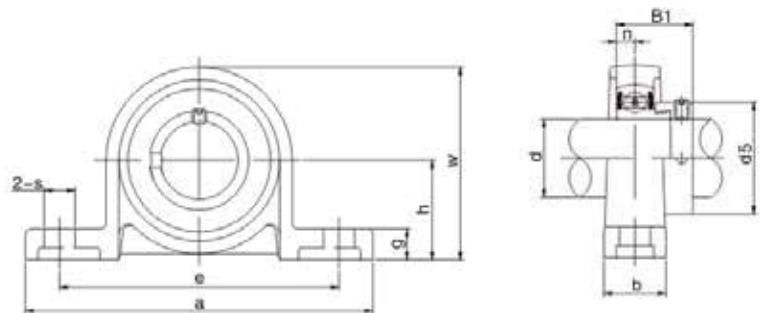
Item No.	d	h	a	e	b	s	g	W	B1	n	Bolt size	Weight [kg]
MKP000	10	18	67	53	16	7	6	35	17.5	4	M6	0.07
MKP001	12	19	71	56	16	7	6	38	17.5	4	M6	0.09
MKP002	15	22	80	63	16	7	7	43	18.5	4.5	M6	0.13
MKP003	17	24	85	67	18	7	7	47	20.5	5	M6	0.16
MKP004	20	28	100	80	20	10	9	55	24.5	6	M8	0.23
MKP005	25	32	112	90	20	10	10	62	25.5	6	M8	0.29
MKP006	30	36	132	106	26	13	11	70	26.5	6.5	M10	0.45
MKP007	35	40	150	118	26	13	13	80	29.5	7	M10	0.59

All measurements are in millimeters When ordering please use the catalogue numbers.

MUP

with eccentric collar lock

Mini stainless steel pillow block bearings



Item No.	d	h	a	e	b	s	g	W	B1	n	d5	Bolt size	Weight [kg]
MUP000	10	18	67	53	16	7	6	35	17.5	4	17	M6	0.08
MUP001	12	19	71	56	16	7	6	38	17.5	4	19	M6	0.09
MUP002	15	22	80	63	16	7	7	43	18.5	4.5	22	M6	0.13
MUP003	17	24	85	67	18	7	7	47	20.5	5	25	M6	0.16
MUP004	20	28	100	80	20	10	9	55	24.5	6	30	M8	0.23
MUP005	25	32	112	90	20	10	10	62	25.5	6	36	M8	0.29
MUP006	30	36	132	106	26	13	11	70	26.5	6.5	42	M10	0.45
MUP007	35	40	150	118	26	13	13	80	29.5	7	48	M10	0.59

All measurements are in millimeters When ordering please use the catalogue numbers.